

# AURORALIGHT

PROJECT: \_\_\_\_\_

SKU #: \_\_\_\_\_

TYPE: \_\_\_\_\_

## CYCLOPS

DIR060330

The Cyclops is a Micro-Directional luminaire. The easily replaceable, self contained ball fits snugly into a precision machined socket for exceptional heat dissipation allowing this luminaire to operate at 3 watts.

- US Patent No: D863,607 S
- Cree LED™ XLAMP® High Density (XP-L)
- 3 interchangeable PMMA acrylic optics from 15° to 40°
- Ideal for planters, small greenery & facade

CONFIGURATOR:

|                                 |                                    |   |
|---------------------------------|------------------------------------|---|
| DIR060330                       | LED                                | FINISH  |
| ( ) = Most common configuration | (2703) 2700K 3W<br>(3003) 3000K 3W | (NAT) Natural Brass<br>(BLP) Bronze Living Patina<br>(BLPX) Extra Dark BLP<br>(NI) Nickel PVD |



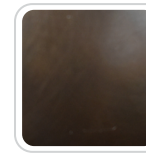
AVAILABLE FINISHES:



NAT  
Natural Brass



BLP  
Bronze Living Patina



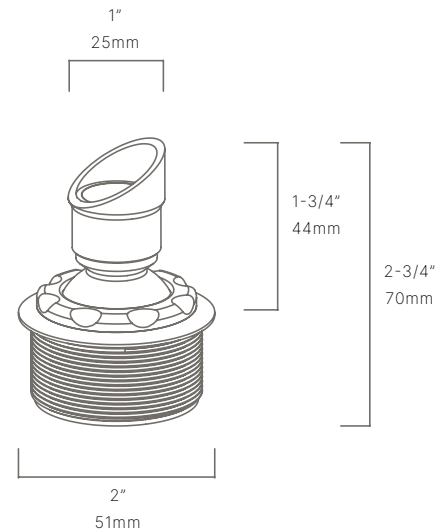
BLPX  
Extra Dark Bronze Living Patina



NI  
Nickel PVD

|                    |                                    |
|--------------------|------------------------------------|
| FIXTURE DIMENSIONS | L2" x H2-3/4" x D1"                |
| LIGHT SOURCE       | Integrated LED                     |
| COLOR TEMPERATURES | 2700K, 3000K                       |
| WATTAGES           | 3W                                 |
| CRI (RA)           | 80 CRI                             |
| VOLTAGE            | 12V                                |
| DELIVERED LUMENS   | 170lm (3000K)                      |
| DIMMABLE           | Yes, Dim to <10% via Transformer   |
| DRIVER             | Yes, 12V Integral Constant Current |
| TRANSFORMER        | No, 12V AC/DC Transformer Required |
| MOUNT              | Yes, 2" Threaded Base              |
| ACCESSORIES        | Yes, Included 60° Glare Shield     |
| OPTICS             | Yes, Included 15°, 25° & 40°       |
| FINISH             | Included Natural Brass             |
| MATERIAL           | Brass                              |
| WIRE LENGTH        | 24"                                |
| LOCATION           | Exterior Wet                       |
| CERTIFICATIONS     | UL, IP66, IP67                     |

\*For complete warranty terms, please visit: [www.auroralight.com/warranty/](http://www.auroralight.com/warranty/)



P. 760.931.2910

O. 2742 Loker Ave. W Carlsbad CA 92010

W. [www.auroralight.com](http://www.auroralight.com)

MADE IN USA  
WITH DOMESTIC & IMPORTED MATERIALS



# AUORALIGHT

PROJECT:

SKU #:

TYPE:

P. 760.931.2910

O. 2742 Loker Ave. W Carlsbad CA 92010

W. [www.auroralight.com](http://www.auroralight.com)

MADE IN USA  
WITH DOMESTIC & IMPORTED MATERIALS

